

S1.5 Oil-Free Compressor

100% Oil Free | Dry Medical Air | Unlimited Hour Warranty
 SKU: 2880106



Part #	2880106
Max (HV) Users	3
Operatories	3-4
Hp	1.5
kW	1.1
Amps	7.8
Volts (Min-Max)	115V
Sound Level (dB)	70 dB
Tank LxWxH	26" x 20" x 25"
Tank Weight	110
Tank	6 Gal
CFM Max	3.10 @ 80PSI
Operating PSI	80-100 PSI
Dryer Type	Desiccant
Silent Options (-20db)	Yes



Package Includes:

- Compressor
- Tank
- Perma Dry Desiccant Dryer
- Pressure Filter Regulator
- Auto Condensate Drain
- 6' length of 1/4" Flex Line hose

Optional Parts:

- buck Boost Part No: 2900601
- Remote Start Transformer Part No: 2900107
- External Air Inlet Part No: 2880131

Note:

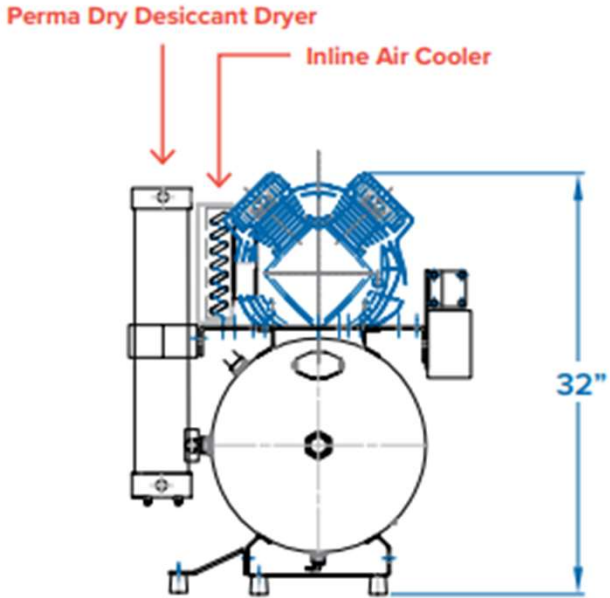
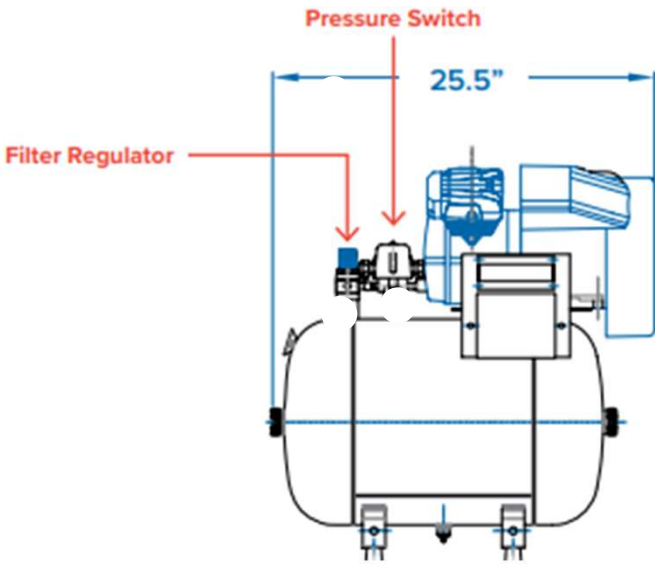
- Clean air intake manifold combines both compressor heads to a common 3/4" female copper fitting. For clean air intake from fresh air source use 1.5" - 2" PVC or ABS schedule 40 or better. Hospital and government clinics may require copper / stainless steel pipe (see NFPA or CSA requirements).
- Room must be provided with active ventilation. It's recommended to allow 18" around and above the compressor for easy access service.
- Room temperature should range 50 °F - 104 °F (10 °C - 40 °C).

1.800.668.8736 - sales@basevacdental.com - www.basevacdental.com

S1.5 Oil-Free Compressor

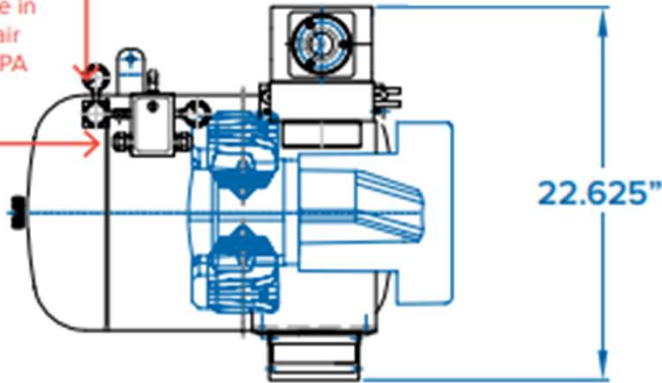
100% Oil Free | Dry Medical Air | Unlimited Hour Warranty
SKU: 2880106

Site Requirements	
Voltage (Min/Max)	220 / 240V 1 60Hz
Full Load Amps	8.5
Breaker Rating	20 Amps
Wire Size	12
Watts/Hour	640
BTU/Hour	2250
Install Footprint	39" x 35" x 38"
Shipping Weight	197 lbs



Hose Connection
Hose Connection to main at regulator - 1/4" FNPT - Compressor supplied with 6 foot flexible pressure hose for connection to 1/2 inch type "L" of Type "K" copper pipe in accordance with medical air requirements - refer to NFPA or CSA for more detail.

Power Connection



1.800.668.8736 - sales@basevacdental.com - www.basevacdental.com