

# 3HD 4.40P Dry Vacuum



Industry-Leading Suction | 100% Oil & Water Free | Modular & Upgradable  
SKU: 2800030



Part #	2800030
Max (HV) Users	3 x 4
# Motors	3
Hp	3 x 2
Suction Power (Adjustable)	10-25" Hg
CFM Max	84
Amps	3 x 10.5 A
Volts (Min-Max)	230V, 1 Phase (207-253V)
Sound Level (dB)	75 dB
Vacuum LxWxH	28" x 18" x 57"
Vacuum Weight	3 x 130 lbs.
Tank LxWxH	16.5" x 16.5" x 52.5"
Tank Weight	55 lbs.
Min Vacuum Line Dia	1/2"
Recommended Line Dia	1 1/2" - 2 1/2"
Warranty	5 years / Unlimited Hours
Optional Buck-Boosts	3 (Purchased Separately)

## Product Highlights:



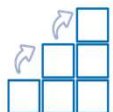
**100% Oil & Water Free**  
Save on water costs. No oil changes or oily exhaust residue.



**Industry Leading Suction Performance**  
Adjustable vacuum up to 25" Hg for surgical and multi-specialty applications.



**Works with 1" Dia or Smaller Pipes**  
Easily replace old wet vacuum systems without replacing in-floor plumbing.



**Modular & Upgradable**  
Add new motor units and tank extensions to support up to 16 users.



**5-Year Warranty**  
Unlimited hour hassle-free warranty.

## Package Includes:

- Three x 2 Hp 100% Dry Vacuum Units
- Improved 24-Gal Air/Water Separator Tank with Auto-Drain & Over-Flow Protection.
- NEMA-Rated Control Panel with Vacuum Gauge, Hour Meter and Start/Stop Control
- Remote Start Capability
- Exhaust Kit With Dual Drip-Leg Assembly
- Adjustable Bypass Vacuum Regulator with Industry-Leading Suction Range of 10-25 In Hg
- 10 Ft Vacuum Hose
- Phone, Email & Video Installation Support

### Optional Accessories:

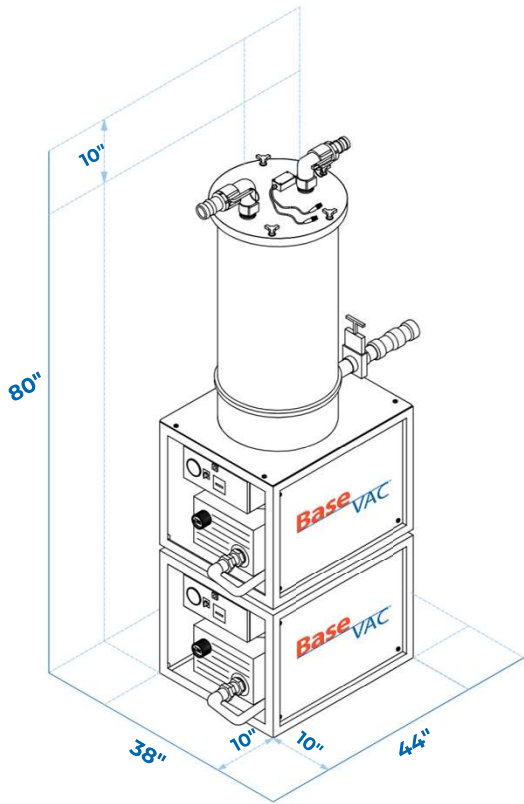
Part #	Description
<b>2900601</b>	<b>Buck/Boost Transformer</b>
<b>2900101</b>	<b>Low Voltage Remote Start/Stop</b>
<b>2900201</b>	<b>Vacuum Stand Small 24" x 30"</b>
<b>2900204</b>	<b>Tank Elevation Stand 10"</b>
<b>2900205</b>	<b>Tank Elevation Stand 16"</b>
<b>2850003</b>	<b>NXT Hg5 Amalgam Separator</b>

1.800.668.8736 - sales@basevacdental.com - www.basevacdental.com

# 3HD 4.40P Dry Vacuum



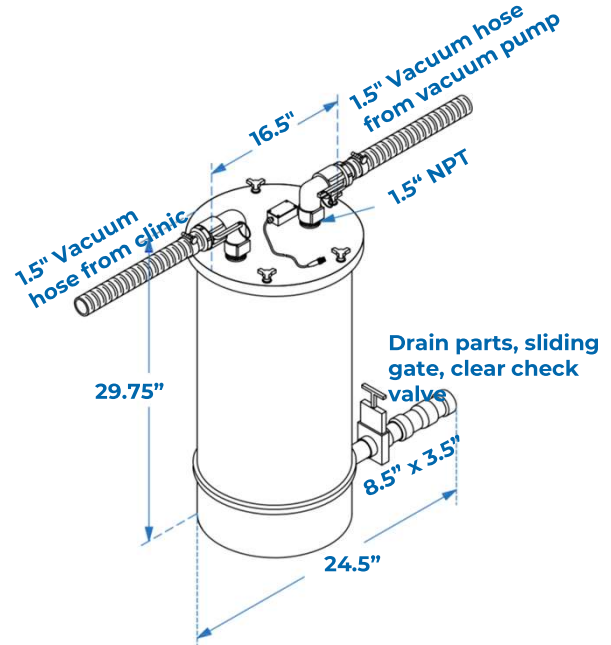
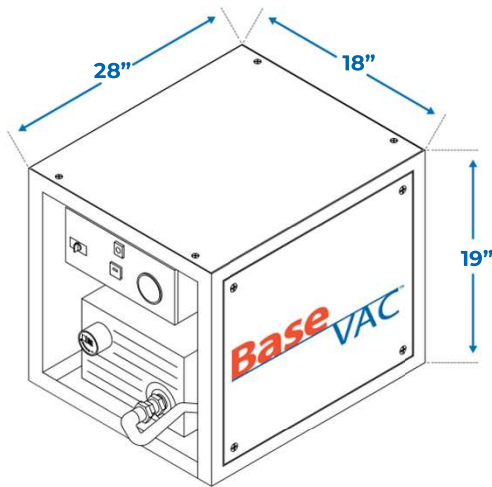
Industry-Leading Suction | 100% Oil & Water Free | Modular & Upgradable  
SKU: 2800030



Site Requirements	
Voltage (Min/Max)	230V, 1 Phase (207-253V)
Breaker Rating	3 x 20 Amps
Wire Size	14 AWG
BTU/Hour	3 x 5000
Max Room Temperature	50 °F - 104 °F (10 °C - 40°C)
Install Footprint	44" x 38" x 72"
Shipping Specs	
Shipping Weight	532 lbs.
# of packages / pallets	5

## Notes:

- System supplied with hose to connect dental to pump inlet and pump to air/water separator. 10 feet total.
- Exhaust piping can be metallic or plastic. It must be sloped away from the supplied drip leg kit.
- The room must be provided with active ventilation.
- Allow 10" around and above the system for easy service access.



**Required Electrical Receptacle: L6-15P**

Optional 3 Phase 230 / 460 / 575V Options. Users refers to the maximum number of users during normal working conditions (includes diversity). For 100% redundancy (back up/spare) do not count 2nd motor in calculation. Noise level measured at 3.5 feet with inlet and exhaust piping connected.

1.800.668.8736 - sales@basevacdental.com - www.basevacdental.com