

2HD 4.25P Dry Vacuum



Industry-Leading Suction | 100% Oil & Water Free | Modular & Upgradable
SKU: 2800012



Part #	2800012
Max (HV) Users	2 x 2.5 (up to 5 total)
# Motors	2
Hp	2 x 1.2
Suction Power (Adjustable)	10-25" Hg
CFM Max	56
Amps	2 x 6.9 A
Volts (Min-Max)	230V, 1 Phase (207-253V)
Sound Level (dB)	70 dB
Vacuum LxWxH	28" x 18" x 19"
Vacuum Weight	2 x 105 lbs.
Tank LxWxH	16.5" x 16.5" x 31.5"
Tank Weight	40 lbs.
Min Vacuum Line Dia	1/2"
Recommended Line Dia	1 1/2"
Warranty	5 years / Unlimited Hours
Optional Buck-Boosts	2 (Purchased Separately)

Product Highlights:



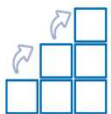
100% Oil & Water Free
Save on water costs. No oil changes or oily exhaust residue.



Industry Leading Suction Performance
Adjustable vacuum up to 25" Hg for surgical and multi-specialty applications.



Works with 1" Dia or Smaller Pipes
Easily replace old wet vacuum systems without replacing in-floor plumbing.



Modular & Upgradable
Add new motor units and tank extensions to support up to 16 users.



5-Year Warranty
Unlimited hour hassle-free warranty.

Package Includes:

- Two x 2 Hp 100% Dry Vacuum Units
- Improved 12-Gal Air/Water Separator Tank with Auto-Drain & Over-Flow Protection. **Includes Extra Float Sensor for Easy Upgrades – NEW!**
- NEMA-Rated Control Panel with Vacuum Gauge, Hour Meter and Start/Stop Control
- Remote Start Capability with Optional Remote Switch
- Exhaust Kit With Dual Drip-Leg Assembly
- Adjustable Bypass Vacuum Regulator with Industry-Leading Suction Range of 10-25 In Hg
- 10 Ft Vacuum Hose
- Phone, Email & Video Installation Support

Optional Accessories:

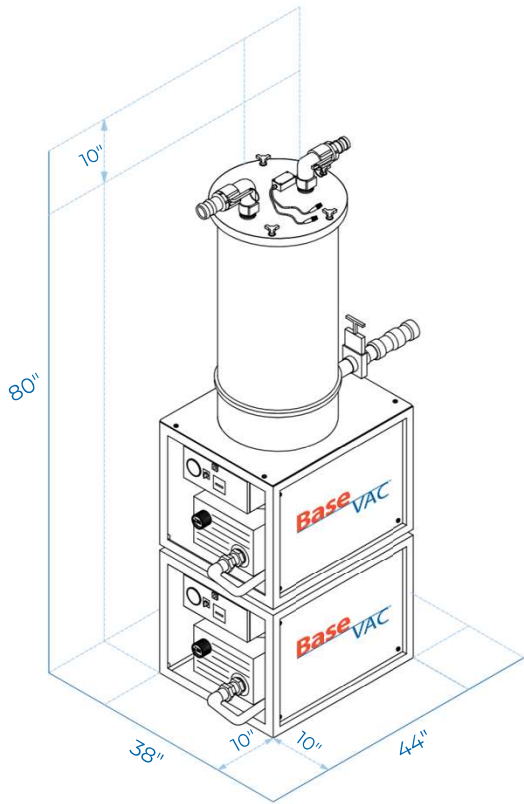
Part #	Description
2900601	Buck/Boost Transformer
2900101	Low Voltage Remote Start/Stop
2900201	Vacuum Stand Small 24" x 30" 39"
2900204	Tank Elevation Stand 10"
2900205	Tank Elevation Stand 16"
2850003	NXT Hg5 Amalgam Separator

1.800.668.8736 - sales@basevacdental.com - www.basevacdental.com

2HD 4.25P Dry Vacuum



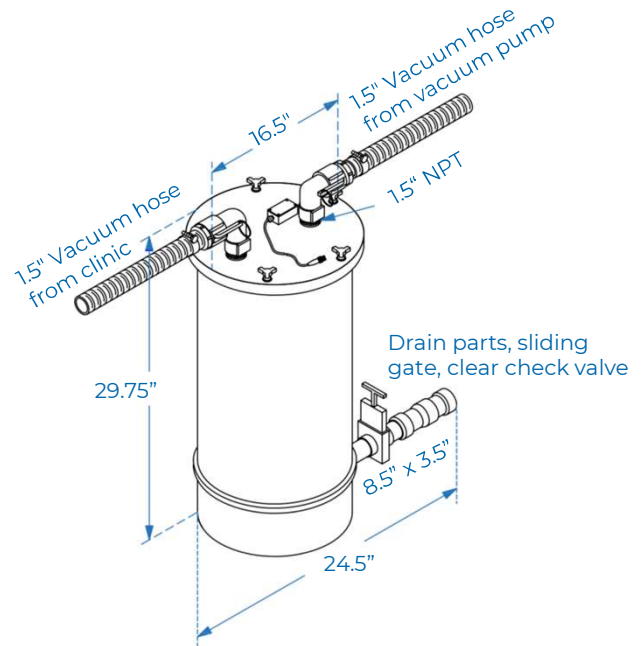
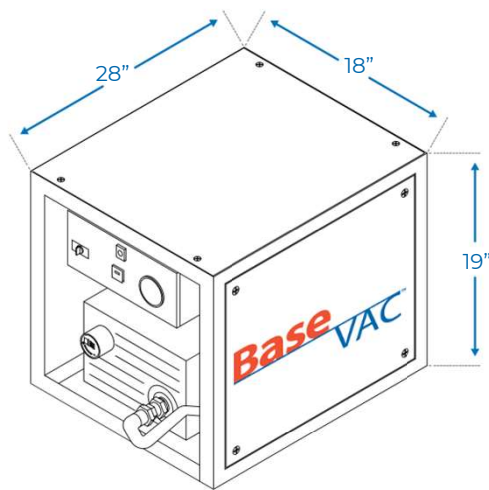
Industry-Leading Suction | 100% Oil & Water Free | Modular & Upgradable
 SKU: 2800012



Site Requirements	
Voltage (Min/Max)	230V, 1 Phase (207-253V)
Breaker Rating	2 x 20 Amps
Wire Size	14 AWG
BTU/Hour	2 x 3000
Max Room Temperature	50 °F - 104 °F (10 °C – 40°C)
Install Footprint	44" x 38" x 80"
Shipping Specs	
Shipping Weight	344 lbs.
# of packages / pallets	4
Maintenance	
Primary Interval	Annual / 3,000 Hours
Includes	Vane & filter inspection. Replace if necessary. Requires 30-60 mins

Note:

- System supplied with hose to connect dental to pump inlet and pump to air/water separator. 10 feet total.
- Exhaust piping can be metallic or plastic. It must be sloped away from supplied drip leg kit.
- The room must be provided with active ventilation.
- Allow 10" around and above the system for easy service access.
- A Buck/boost transformer is required for 208V Applications.



Required Electrical Receptacle: L6-15P

All models adjustable from 5" Hg to 25" Hg. Recommended set point 15" Hg to 20" Hg Max (HV). Users refers to the maximum number of users during normal working conditions (includes diversity). For 100% redundancy (back up/spare) do not count 2nd motor in calculation. Noise level measured at 3.5 feet with inlet and exhaust piping connected. Optional 3 Phase 230 / 460 / 575V Options Available.

1.800.668.8736 - sales@basevacdental.com - www.basevacdental.com