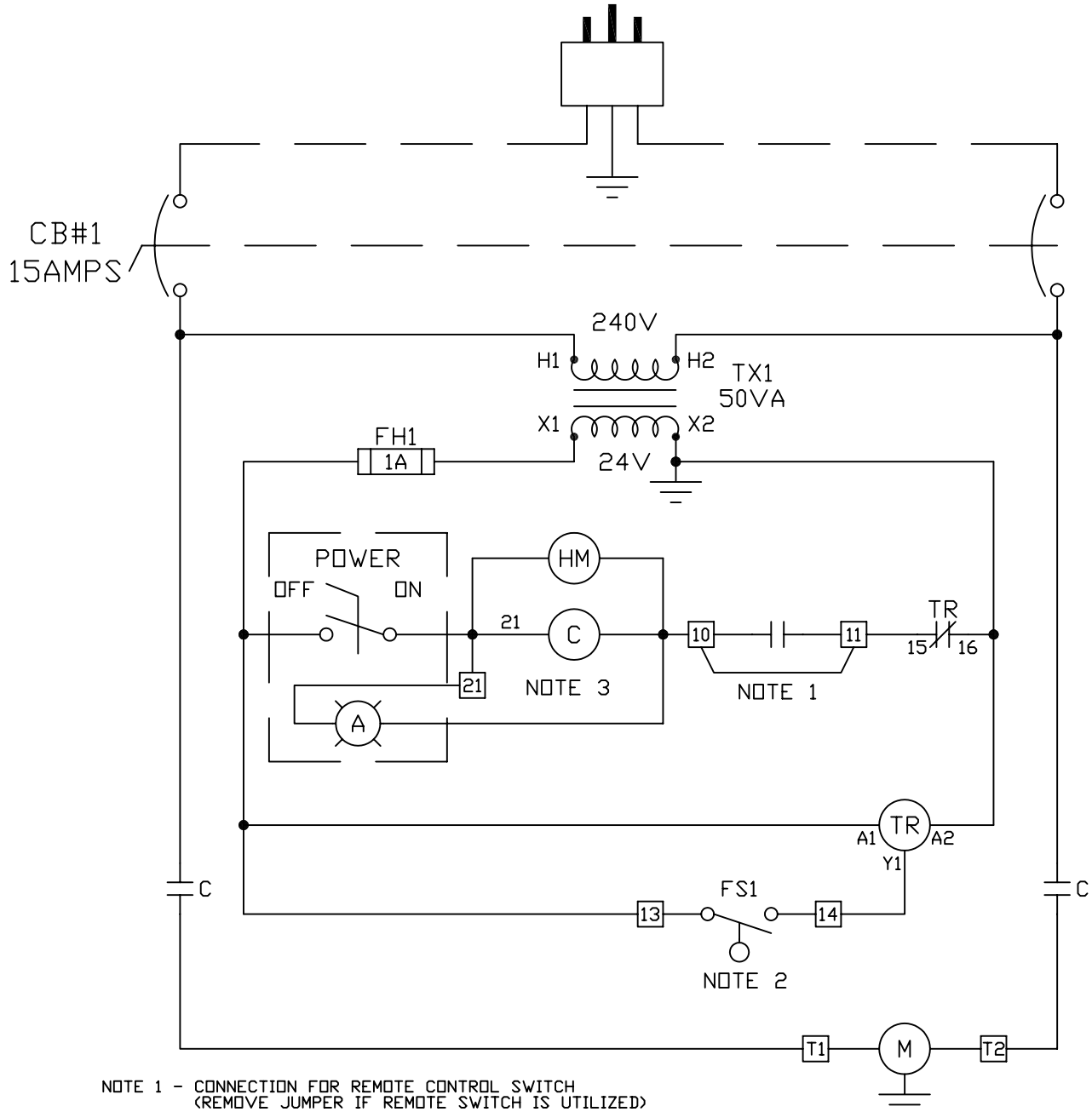


ELECTRICAL DIAGRAM  
VACUUM PUMP WITH  
PLASTIC TANK

240VAC, 60Hz, 15A  
POWER PLUG (BY OTHERS)



- NOTE 1 - CONNECTION FOR REMOTE CONTROL SWITCH  
(REMOVE JUMPER IF REMOTE SWITCH IS UTILIZED)
  - NOTE 2 - TANK FLOAT SWITCH TO BE CONNECTED TO  
TERMINALS 13 AND 14 (WIRES ARE MARKED)
  - NOTE 3 - CONNECTION FOR REMOTE SWITCH LAMP  
TERMINALS 10 AND 21 NOTE: 24 VOLT AC
- TR SETTINGS: FUNCTION Dr, TIME 3.5Min., RANGE 60s,

- TERMINAL STRIP CONNECTION  
 ---- - FIELD CONNECTION

<b>R.E.M.</b> MISSISSAUGA      ONTARIO	DRAWN BY      DP	APPROVED BY      K WAIN	TITLE: VACUUM PUMP CONTROL PANEL 240 V. 1ph PLASTIC TANK	DRAWING NO. W2051-04	
	DATE      02/06/07	REVISED      -----		PAGE	OF
	SCALE      NTS	REVISION      0	REF: ALL CONTROL PANELS AFTER FEBRUARY 2007	1	2