

# Base VAC DENTAL



1 HD4.8 MANUAL

by **REM**  
EQUIPMENT

Rel. 2.3

Thank you for purchasing the Base Vac Dental 1HD4.8 Vacuum pump system with collection bottle. Fig. 1a shows the system complete with all components except the hose connections.



Fig 1a

Mount the hose barb assembly onto the outlet of the collection bottle and connect the included hoses. Your Base Vac Dental 1HD4.8 Vacuum pump system with collection bottle is ready for use

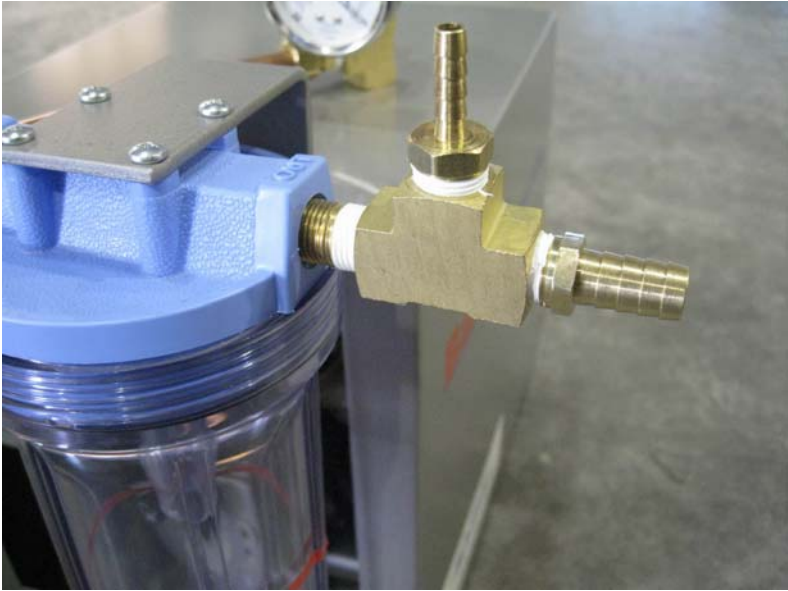


Fig 1b

Fig 2 shows the following:

“A” Power on / off switch with internal overload protection

“B” Is an adjustable vacuum regulator, turning clockwise increases the vacuum pressure and counter clockwise decreases the vacuum pressure

“C” Is a pressure relief valve for the pump.

“D” The RED line shows the the maximum liquid level (see Fig 2a), do not fill above this line as liquid may enter into the pump. **If liquid does enter into the pump remove front cover and drain liquid, run the pump for 2 to 3 hours as the heat from the pump will dry out the moisture.**

“E” Liquid separator collection bottle.

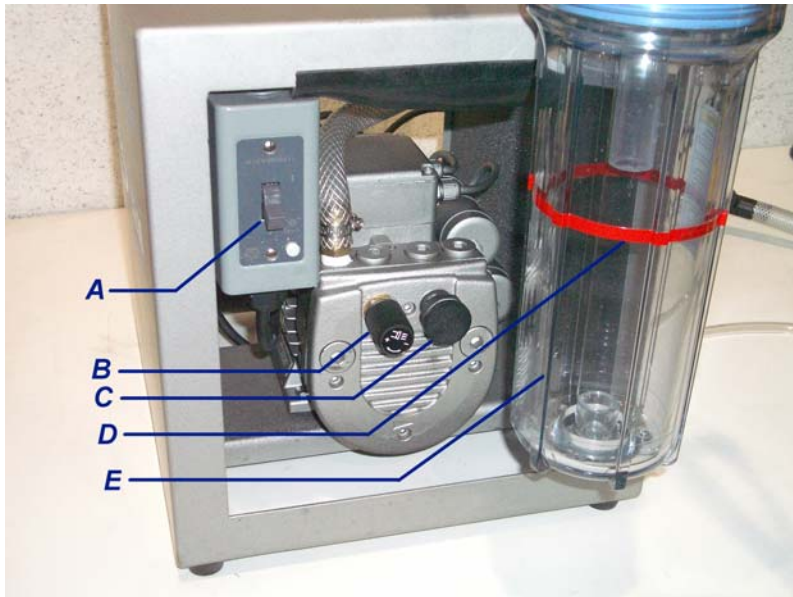


Fig 2



Fig 2a

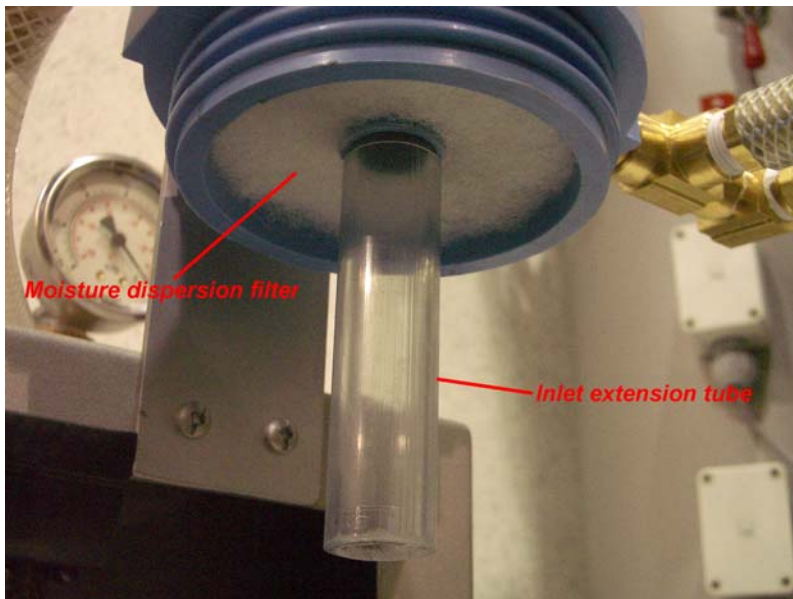


Fig 3

Fig 3 shows the internal parts of the collection bottle:

-the inlet extension tube direct the liquid into the bottle and prevents the liquid going into the pump

-the moisture dispersion filter eliminates any airborne moisture from directly entering the vacuum pump

## 1HD4.8 ADD ON BOTTLE INSTALLATION

The add on bottle BVDOPT-04 comes complete with the collection bottle and 3/8" NPT brass nipple already installed into the proper inlet (fig. 1). Remove the existing hose barb attachments from the original bottle, then mount the second bottle top by screwing the brass nipple into the original bottle (may be easier if the bottle is removed fig. 2), remount the bottle and re-install the hose barb assembly and your done (fig 3).



fig.1

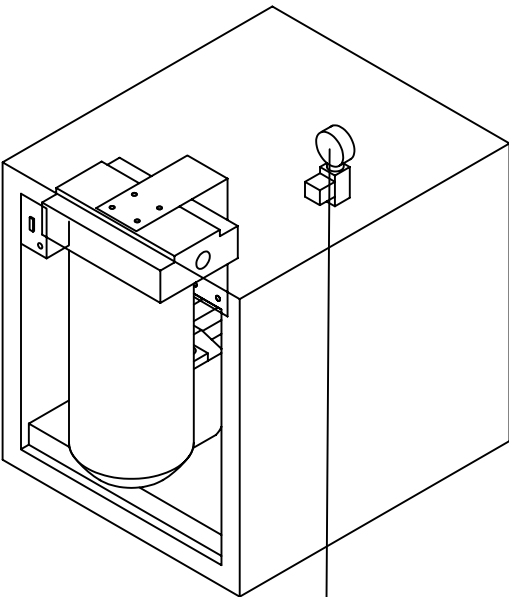


fig.2

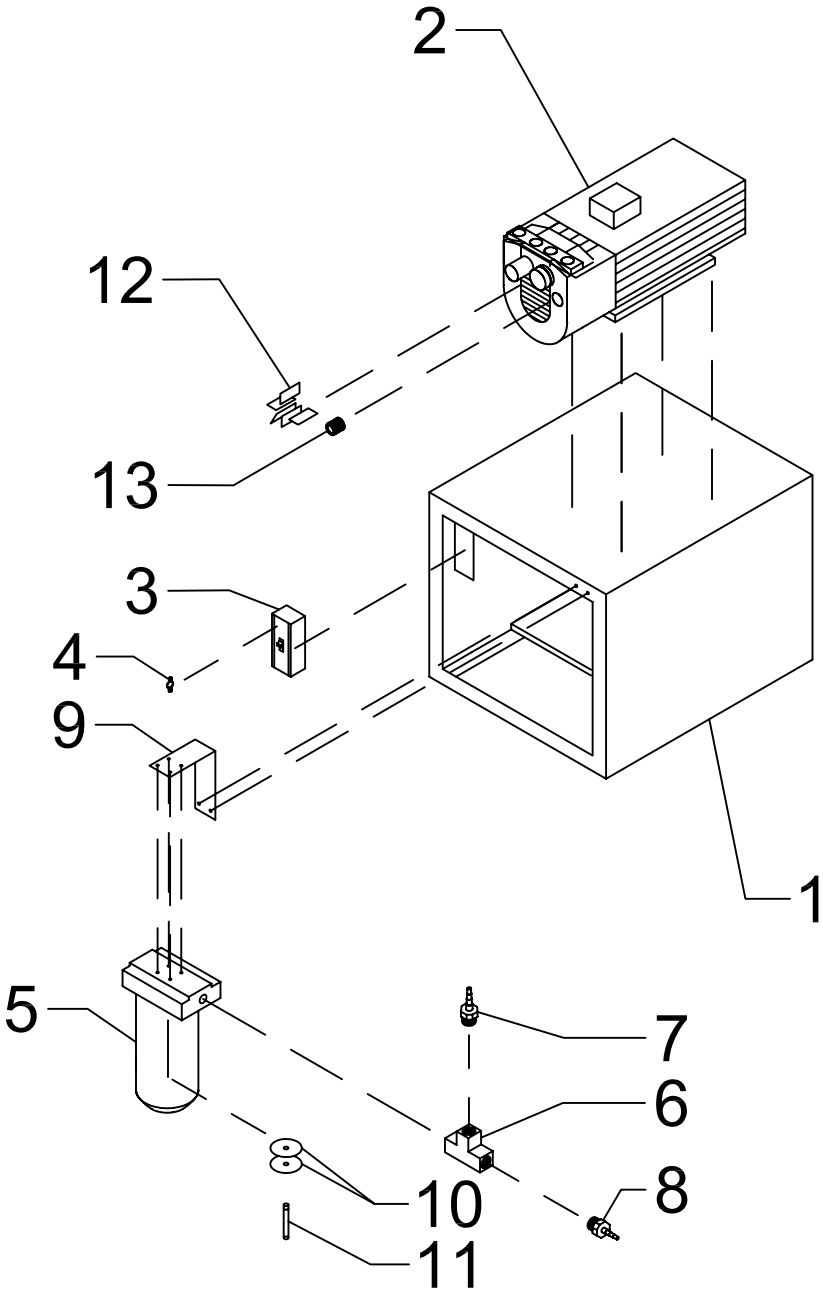


fig. 3

# 1HD 4.8 System c/w Collection Bottle



14



# 1HD4.8 PARTS LIST

NO	PART NUMBER	QTY	DESCRIPTION
1	174897	1	FRAME WELDMENT
2	163691ADO	1	BECKER VACUUM PUMP VT4.8UL (110/220)
3	600-TAX216	1	MANUAL STARTER RESET ABLE
4	P31	1	MANUAL STARTER HEATER ELEMENT
5	SLIMCLR-WOPRV3/8	1	COLLECTION BOTTLE
6	440109-131280	1	3/8" BRASS TEE
7	69932	1	HOSE BARB 3/8 NPT x 1/2" HOSE
8	69922	1	HOSE BARB 3/8 NPT x 1/4" HOSE
9	BRACKET KIT-SLIM	1	MOUNTING BFRACKET FOR COLLECTION BOTTLE
10	91035	2	WHITE FILTER DISCS
11	9939600	1	CLEAR TUBE
12	90138800	5	VANES
13	909581	1	FILTER ELEMENT
14	SEC-203D-254A	1	VACUUM GAUGE



**Base**  
**VAC** DENTAL SYSTEMS

**5-year Guarantee.**

Distributed by

**SABLE**  
INDUSTRIES INC.

**1-800-368-8106**

Distributed in the USA by

 **Ribbit**  
DENTAL SYSTEMS

by **REM**  
EQUIPMENT

21-3615 Laird Road, Mississauga, Ontario L5L 5Z8  
(905) 828-6301 1-800-668-8736 Fax (905) 828-3674  
info@remequip.com www.remequip.com