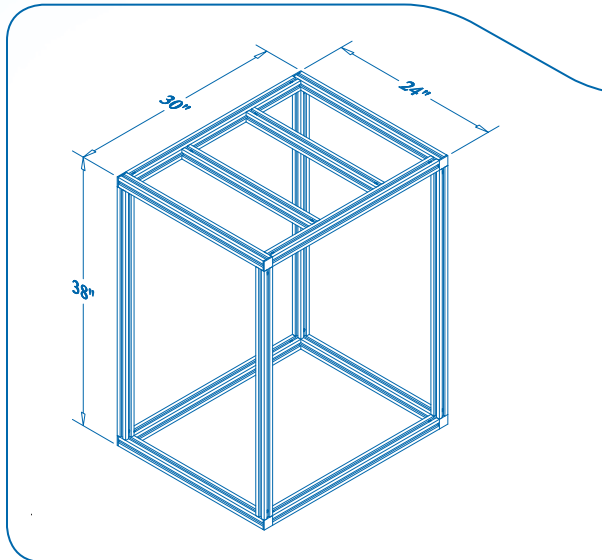
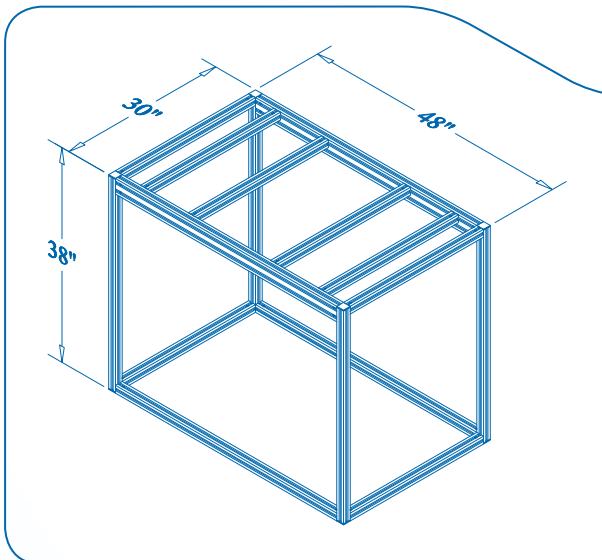


# UTILITY ROOM STANDS

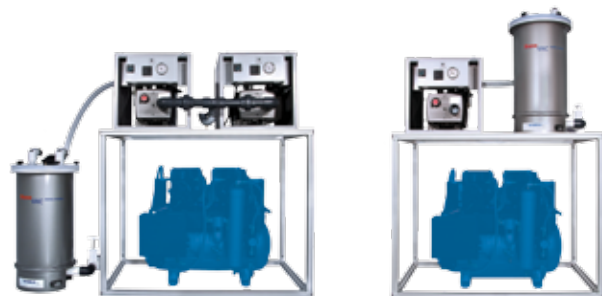
EXTRUDED ANODIZED ALUMINIUM



**24" MODEL** BVD5588-1



**48" MODEL** BVD5588-2



COMPACT - EASY TO ASSEMBLE - CUSTOM SIZES AVAILABLE

Manufactured By:



R.E Morrison Equipment Inc  
Mississauga, ON, Canada  
1-800-668-8736  
[www.remequip.com](http://www.remequip.com)

**Base**  
DENTAL SYSTEMS **VAC**<sup>™</sup>

[www.basevacdental.com](http://www.basevacdental.com)

Distributed By:



1 800 368 8106  
[www.sableindustriesinc.com](http://www.sableindustriesinc.com)  
ISO 13485..2003 Certified  
Health Canada Registeres