

Base VAC DENTAL SYSTEMS

by **REM**
EQUIPMENT



C-Vac User's Manual

1HD4.10C / 2800014 + 1HD4.16C / 2800015

Rel 1.1

Thank you for purchasing the 2800014 (1HD4.16C) or 2800015 (1HD4.10C) C-VAC series suction system with high level mechanical float and automatic gravity drain.



2800014 (1HD4.10C)



2800015 (1HD4.16C)

For the C-Vac series, simply attach the gravity drain fittings using PVC glue, the drain can be mounted either on the left or right side of the tank for ease of connection to floor drain. Attached hose to top hose barb from Dental office and attach optional exhaust piping. Plug unit into maximum 20 amp fused or breaker protected electrical line of either 230 volt 1 phase for 2800015 (1HD4.16C) and 120 volt 1 phase for the 2800014 (1HD4.10C) models.



To clean clear check valve, remove the rubber sleeve on the post and close the sliding gate. The check valve can now be removed by unscrewing the compression fittings.

Gravity drain fittings to be connect to floor drain



Connect hose from Dental inlet to hose barb connector

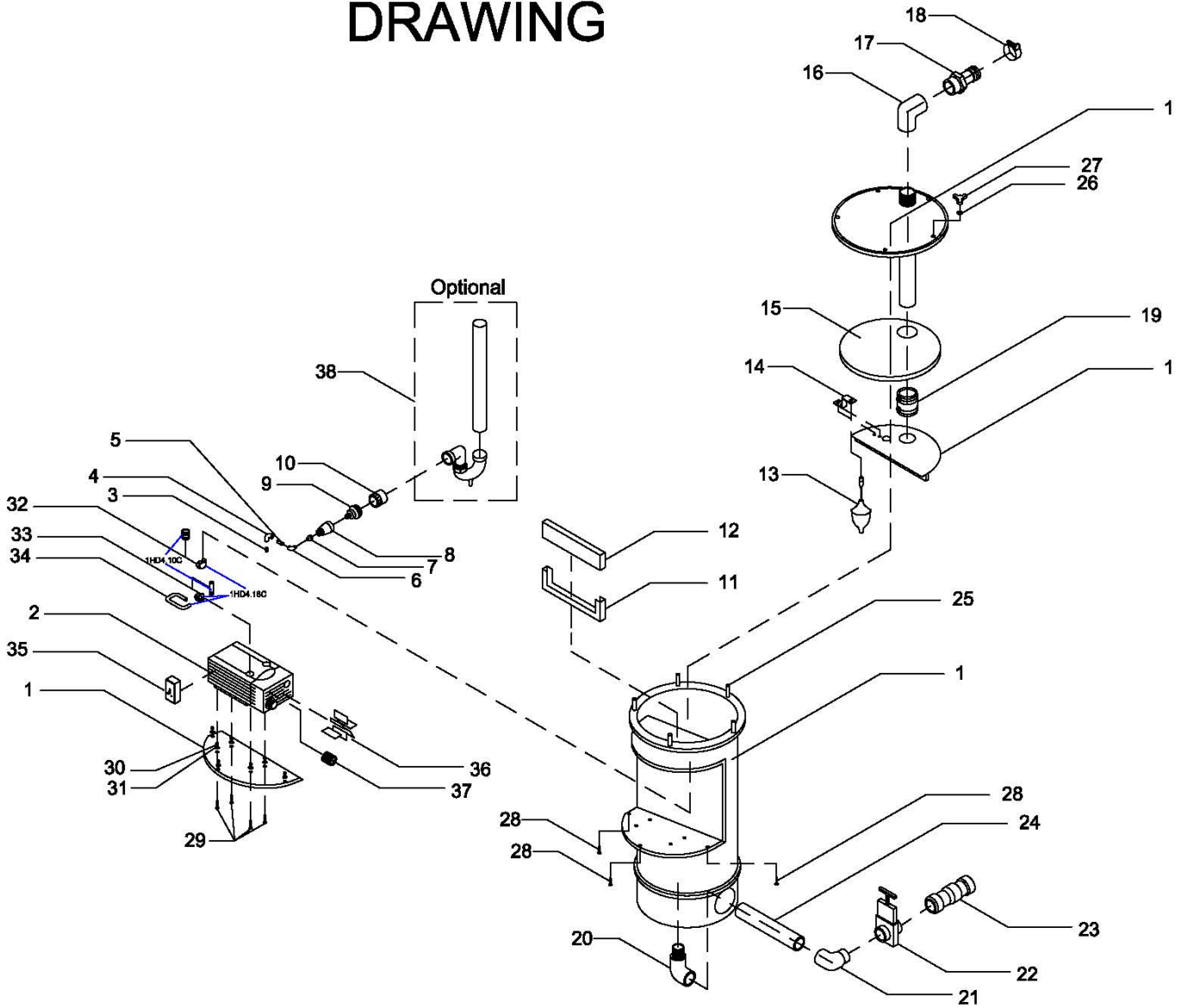


**PUSH LEVER
FULLY DOWN
TO RESET**

The motor starter has an internal overload Protection. If tripped wait until the over load cools down and simply push down switch lever fully to off position to reset.

If vacuum flow is reduced, the high level mechanical float may be engaged, turn off the vacuum pump, let the tank drain and restart pump.

C-Vac TANK DRAWING



Part #	Qty	Description
1 12947	1	C-vac tank, lid, motor mount and internal plate
2 163991AO	1	Becker vacuum pump VT4.10, 110 V/60Hz/1~
2 164291D1(UL)	1	Becker vacuum pump VT4.16, 230 V/60Hz/1~
3 13400	1	Close nipple ½" NPT steel
4 0825B	1	Elbow 90° ½" steel
5 13449	1	Nipple black ½" x 3"
6 13273	1	Street elbow 90° ½" steel
7 13575	1	Reducer, bell 1" x ½"
8 567029	1	Valve exhaust adaptor 1" NPT
9 73600199613	1	Exhaust valve
10 835-015	1	Adaptor to PVC pipe
11 1198462	1	Bracket
12 3970-20-W	1	Demister filter
13 FLOAT	1	Float assembly (PS2045, 2535)
14 811410	1	Bracket for float
15 3970-13-W	1	Demister filter
16 408-015W	1	PVC 90° elbow (fpt x fpt)
17 HB150	1	Hose barb adaptor 1-½" (mpt x 1- ½" hose)
18 MIK47-51	1	Hose clamp
19 1056-150	1	Rubber coupling 1.5" with clamps
20 2283	1	1-½" elbow (mpt x soc)
21 409-015W	1	1-½" elbow (spig x soc)
22 SLIDING-015	1	Sliding gate
23 1500C15	1	Clear PVC check valve
24 11502	1	Pipe PVC white sch. 40 (6.75" length)
25 28106	5	Bolts 5/16-18 x 2.25 CS/FH
26 1133004	5	Flat washer
27 11101563	5	Plastic knob 5/16-18
28 1172712	3	Bolt ¼"-20 x 1.25" SS PFHMS
29 29574	7	Bolt ¼"-20 x 1.50" PFHMS
30 1133078	7	Flat washer ¼" SAE
31 1137020	4	Lock nut ¼"-20
*32 440548-131280	1	½" compression x ⅜" mpt brass fitting (2800015/1HD4.16C)
*32 69274	1	½" brass nipple (2800014/1HD4.10C)
*33 67958	1	½" compression x ½" mpt brass fitting (2800015/1HD4.16C)
*33 PDWC-100	1	½" rubber sleeve with clamps
34 773638	1	½" copper tubing (2800015/1HD4.16C)
*35 Starter-16	1	Motor starter with overload, (600-TAX109, P36, E381D, 15773) (2800015/1HD4.16C)
*35 Starter-10	1	Motor starter with overload, (600-TAX218, P36, E381D, 15773) (2800014/1HD4.10C)
*36 90134700	7	Vanes (2800015/1HD4.16C)
*36 90132700	7	Vanes (2800014/1HD4.10C)
*37 909518	1	Filter C44 (2800015/1HD4.16C)
*37 909519	1	Filter C64/3 (2800014/1HD4.10C)
38 SPE001	1	Exhaust kit (optional)

* different parts for (2800014/1HD4.10C) and (2800015/1HD4.16C)